

HPA-0 8 CS PLUS AIR SOURCE HYDRONIC HEATING HEAT PUMP

MANUFACTURED BY:

STIEBEL ELTRON

With output-dependent control and inverter technology, HPA-08 CS Plus is designed as a compact mono block appliance for outdoor installation. The HPA-08 CS Plus can be used in new builds and buildings with a low system temperature for heating and DHW operation as well as for efficient cooling. To ensure simple and space saving installation in the building, the heat pump is supplied in a set with compact and ideally matched indoor units.

Benefits:

- Inverter technology allows ideally matched heating output through the variable speed compressor
- Reduced space requirement in installation room thanks to compact outdoor unit combined with various indoor modules
- Quiet operation
- Straightforward hydraulic connection due to integral anti-vibration mounts



**5 YEAR*
WARRANTY**



ACCESSORIES

Heat pump manager

The WPM is the control centre of any STIEBEL ELTRON heat pump system, enabling the entire system to be monitored and controlled.

Room based remote control

The FET remote control displays all the information you need to set the right temperature in your living room. Paired with a heat pump manager, you can control multiple zones.

Internet-service gateway

The ISG web allows for an automated transfer of heat pump performance data to the internet service portal and remote service report. Homeowners have the option to control settings online through the STIEBEL ELTRON app.

HEAT PUMP MANAGER (REQUIRED)



ROOM BASED REMOTE CONTROL



INTERNET-SERVICE GATEWAY



MELBOURNE

Head Office & Showroom
11 Fiveways Blvd
Keysborough VIC 3173
P: 1300 001 800

SYDNEY

Showroom & Warehouse
Unit G7, Alexandria Industrial Estate
35-39 Bourke Road, Alexandria NSW 2015
P: 02 7209 6235



enquiries@huntheat.com.au

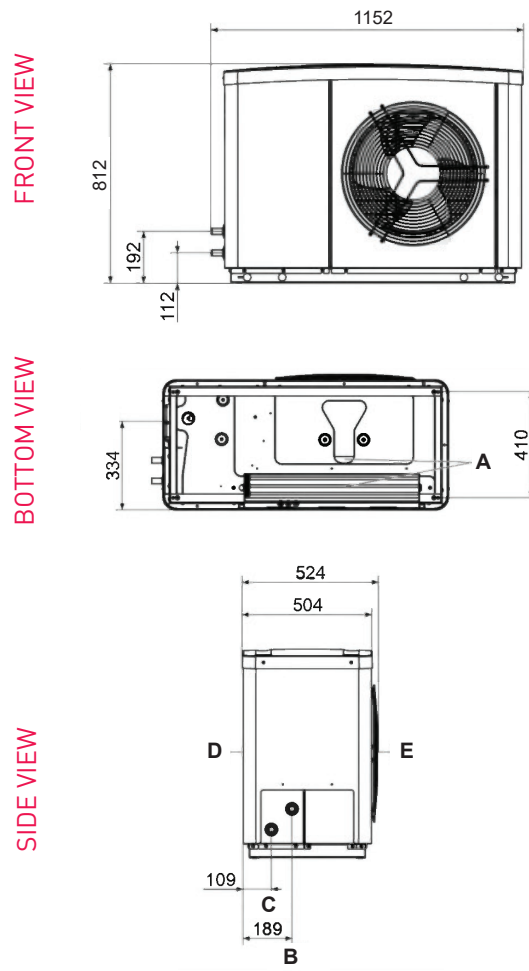


huntheat.com.au



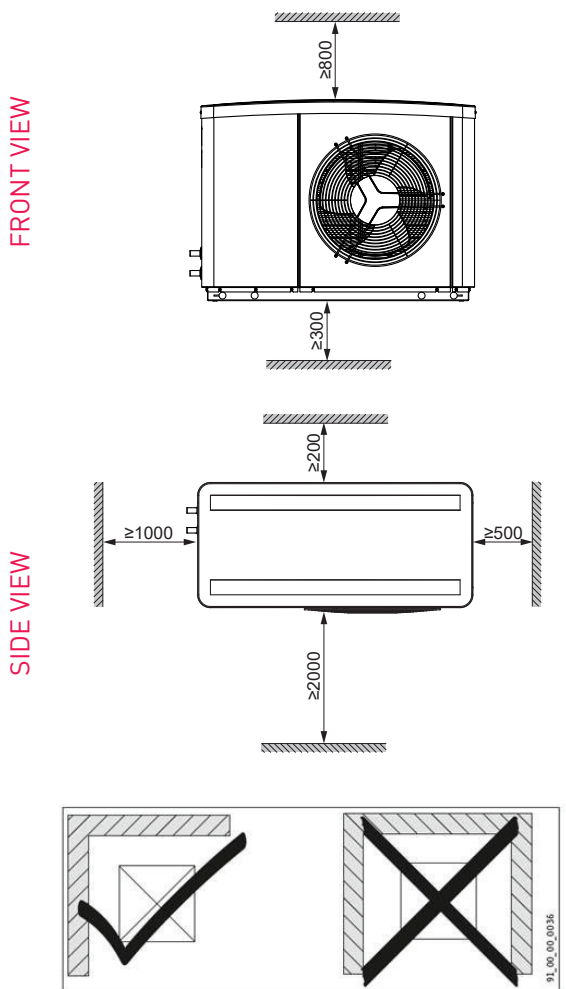
		HPA-O 8 CS PLUS	
Energy efficiency class			A+++
Rated voltage		V	230
Heating output*	Low*	kW	7.80
	Medium*	kW	5.30
	High*	kW	4.86
Coefficient of Performance*	Low*	CoP	2.91
	Medium*	CoP	3.80
	High*	CoP	4.76
Cooling output		kW	6
MAX EER			1.73
Sound power level (EN 12102)		dB(A)	57
Max. temperature output on the heating side		°C	60
Height		mm	812
Width		mm	1152
Depth		mm	524
Weight		kg	91

Dimensions



HPA-O 8 CS PLUS			
A	Condensate drain	∅ mm	22
B	Flow	∅ mm	22
C	Return	∅ mm	22
D	Air intake		
E	Air discharge		

Minimum clearances



- Never install the appliance in a recess. Two sides of the appliance must remain exposed.
- Maintain the minimum clearances to ensure trouble-free operation of the appliance and facilitate maintenance work.



* Please contact Hunt Heating for more information.
 + Measuring conditions: Heating mode - High ambient temperature - Water outlet temp 35oC, outdoor air temp 7oC. Performance in compliance with EN 14511.
 Medium ambient temperature - Water outlet temp 35oC, outdoor air temp 2oC. Performance in compliance with EN 14511.
 Low ambient temperature - Water outlet temp 35oC, outdoor air temp -7oC. Performance in compliance with EN 14511.
 Cooling mode - Water outlet temp 7oC, outdoor air temp 35oC. Performance in compliance with EN 14511.