

IMMERGAS PARTAGE BOXES

SUPPLIED BY:



Immergas Partage Boxes are available in 4 different configurations, suitable for direct temperature zones and mixed temperature zones.

Immergas Partage Boxes are compatible with a wide range of Immergas heat sources and various other heat sources that Hunt Heating supply.



12 MONTH*
WARRANTY



PARTAGE BOX CONFIGURATIONS

DIM^{v2} 2 ZONE

Hydraulic manifold, 2 pumps and electronic board

DIM^{v2} 3 ZONE

Hydraulic manifold, 3 pumps and electronic board

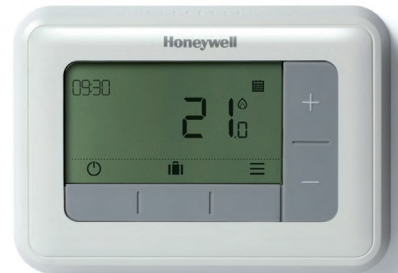
DIM^{v2} H-LT

Hydraulic manifold, 2 pumps, 1 mixing valve and electronic board

DIM^{v2} H-2LT

Hydraulic manifold, 3 pumps, 2 mixing valves and electronic board

HONEYWELL T4 THERMOSTAT



FLEXI PRO-FIT PIPE



MELBOURNE

Head Office & Showroom
11 Fiveways Blvd
Keysborough VIC 3173
P: 1300 001 800

SYDNEY

Showroom & Warehouse
Unit G7, Alexandria Industrial Estate
35-39 Bourke Road, Alexandria NSW 2015
P: 02 7209 6235



enquiries@huntheat.com.au



www.huntheat.com.au



DIM^{V2} 2 ZONE



DIM^{V2} 3 ZONE

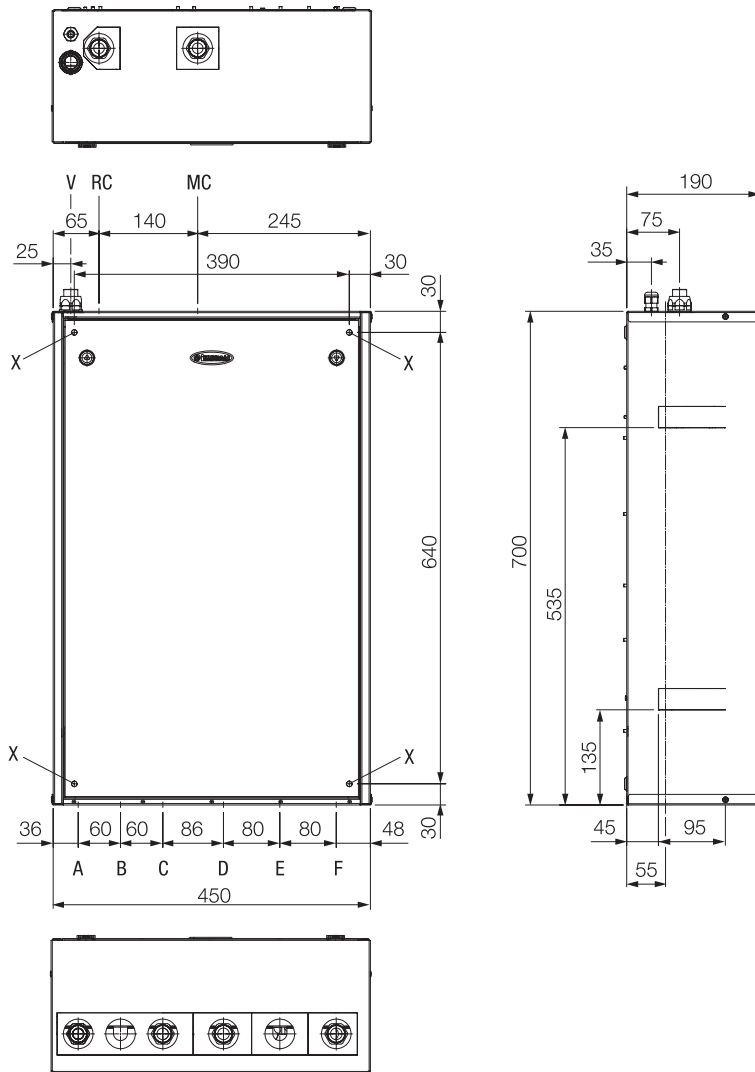


DIM^{V2} H-LT



DIM^{V2} H-2LT

Dimensions and connections



Key

RC	Boiler return [G 3/4"]
MC	Boiler flow [G 3/4"]
V	Electric connection
X	DIM ^{V2} fixing holes (wall-hung)

DIM^{V2} 2 ZONE

A	Zone 1 return [G 3/4"]
C	Zone 2 return [G 3/4"]
D	Zone 2 flow [G 3/4"]
F	Zone 1 flow [G 3/4"]

DIM^{V2} 3 ZONE

A	Zone 1 return [G 3/4"]
B	Zone 3 return [G 3/4"]
C	Zone 2 return [G 3/4"]
D	Zone 2 flow [G 3/4"]
E	Zone 3 flow [G 3/4"]
F	Zone 1 flow [G 3/4"]

DIM^{V2} H-LT

A	High temperature return [G 3/4"]
B	Low temperature return [G 1"]
E	Low temperature flow [G 1"]
F	High temperature flow [G 3/4"]

DIM^{V2} H-2LT

A	High temperature return [G 3/4"]
B	Zone 1 low temperature return [G 1"]
C	Zone 2 low temperature return [G 1"]
D	Zone 1 low temperature flow [G 1"]
E	Zone 2 low temperature flow [G 1"]
F	High temperature flow [G 3/4"]

Supplied with weather proof grommets

