

# Cut Range



Cut Horizontal 460 x 1235 in Matt Painted Satined

## Overview

12 horizontal models in single & double  
12 vertical models in single & double

Technical details & prices pages 104-105

## Finish

Pure White Matt as standard, 26 RAL/  
special finishes

## Delivery

Supplied to order approximate delivery time  
(14-20 weeks).



Cut Vertical 1520 x 535 shown in RAL 9005

# Cut Horizontal shown on page 16

## Overview

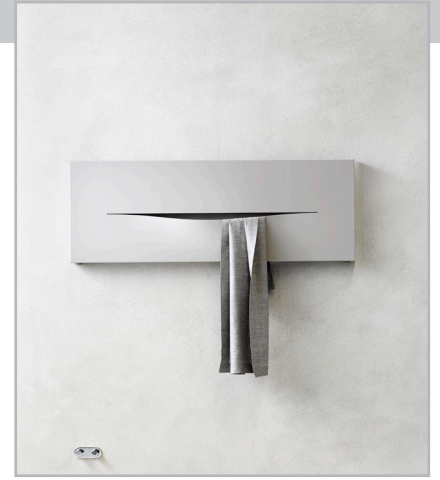
Steel, Slimline radiator cloaked in a steel cover with protruding curved opening  
5 year warranty

## Finish

Pure White Matt as standard, 26 RAL/special finishes  
Please call **1300 00 1800** for a RAL or Special Finish chart

## Delivery

Supplied to order approximate delivery time (14-20 weeks).

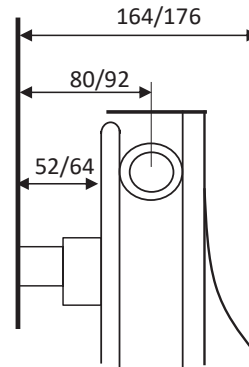
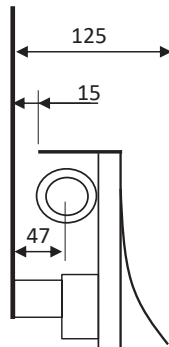
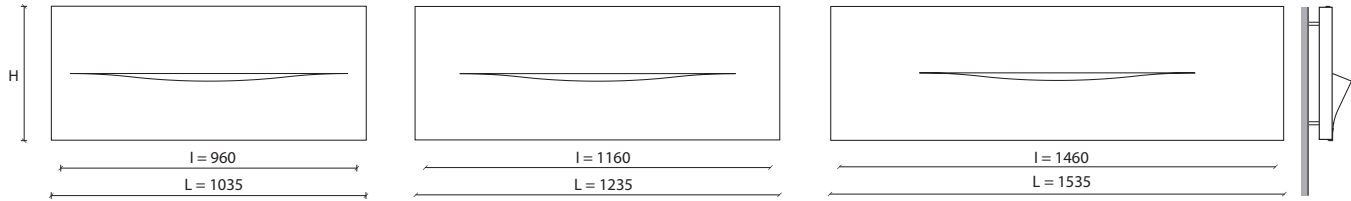
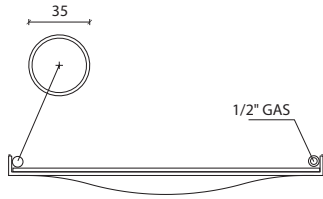


## Single horizontal

| Model     | Height (mm) | Width (mm) | Watts $\Delta t$ 50°C | White Ex GST | Colour Ex GST |
|-----------|-------------|------------|-----------------------|--------------|---------------|
| CUTSH4610 | 460         | 1035       | 360                   | \$2,172.00   | \$2,719.00    |
| CUTSH6110 | 610         | 1035       | 510                   | \$2,516.00   | \$3,148.00    |
| CUTSH4612 | 460         | 1235       | 430                   | \$2,243.00   | \$2,804.00    |
| CUTSH6112 | 610         | 1235       | 605                   | \$2,658.00   | \$3,322.00    |
| CUTSH4615 | 460         | 1535       | 530                   | \$2,554.00   | \$3,195.00    |
| CUTSH6115 | 610         | 1535       | 820                   | \$2,997.00   | \$3,746.00    |

## Double horizontal

| Model     | Height (mm) | Width (mm) | Watts $\Delta t$ 50°C | White Ex GST | Colour Ex GST |
|-----------|-------------|------------|-----------------------|--------------|---------------|
| CUTDH4610 | 460         | 1035       | 513                   | \$2,827.00   | \$3,534.00    |
| CUTDH6110 | 610         | 1035       | 730                   | \$3,313.00   | \$4,142.00    |
| CUTDH4612 | 460         | 1235       | 618                   | \$2,931.00   | \$3,666.00    |
| CUTDH6112 | 610         | 1235       | 870                   | \$3,482.00   | \$4,354.00    |
| CUTDH4615 | 460         | 1535       | 761                   | \$3,346.00   | \$4,185.00    |
| CUTDH6115 | 610         | 1535       | 1180                  | \$3,963.00   | \$4,957.00    |



|                   | Pipe centres (I) | Pipe centres from wall | Depth from wall |
|-------------------|------------------|------------------------|-----------------|
| Single Horizontal | width - 75mm     | 47mm                   | 125mm           |
| Double Horizontal | width - 75mm     | 80-92mm                | 164-176mm       |

# Cut Vertical shown on page 17

## Overview

Steel, Slimline radiator cloaked in a steel cover with protruding curved openings  
5 year warranty

## Finish

Pure White Matt as standard, 26 RAL/special finishes  
Please call **1300 00 1800** for a RAL or Special Finish chart

## Delivery

Supplied to order approximate delivery time (14-20 weeks).

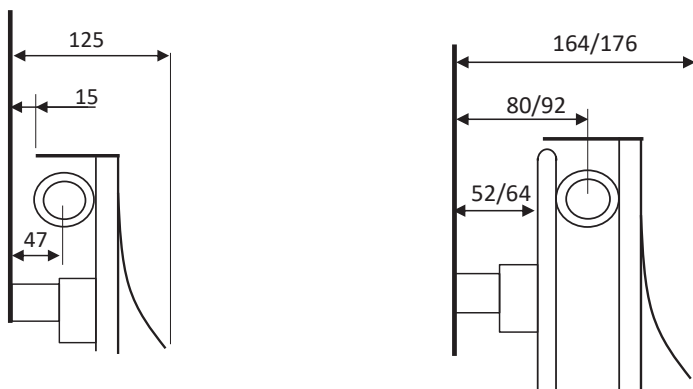


## Single vertical

| Model     | Height (mm) | Width (mm) | Watts Δt 50°C | White Ex GST | Colour Ex GST |
|-----------|-------------|------------|---------------|--------------|---------------|
| CUTSV1253 | 1220        | 535        | 475           | \$2,460.00   | \$3,077.00    |
| CUTSV1263 | 1220        | 635        | 570           | \$2,549.00   | \$3,190.00    |
| CUTSV1553 | 1520        | 535        | 600           | \$2,799.00   | \$3,501.00    |
| CUTSV1563 | 1520        | 635        | 720           | \$2,908.00   | \$3,638.00    |
| CUTSV1853 | 1820        | 535        | 708           | \$2,917.00   | \$3,647.00    |
| CUTSV1863 | 1820        | 635        | 850           | \$3,030.00   | \$3,789.00    |

## Double vertical

| Model     | Height (mm) | Width (mm) | Watts Δt 50°C | White Ex GST | Colour Ex GST |
|-----------|-------------|------------|---------------|--------------|---------------|
| CUTDV1253 | 1220        | 535        | 680           | \$3,270.00   | \$4,090.00    |
| CUTDV1263 | 1220        | 635        | 816           | \$3,384.00   | \$4,232.00    |
| CUTDV1553 | 1520        | 535        | 860           | \$3,742.00   | \$4,679.00    |
| CUTDV1563 | 1520        | 635        | 1032          | \$3,864.00   | \$4,830.00    |
| CUTDV1853 | 1820        | 535        | 1016          | \$3,798.00   | \$4,750.00    |
| CUTDV1863 | 1820        | 635        | 1220          | \$3,940.00   | \$4,924.00    |



|                   | Pipe centres (I) | Pipe centres from wall | Depth from wall |
|-------------------|------------------|------------------------|-----------------|
| Single Horizontal | width - 75mm     | 47mm                   | 125mm           |
| Double Horizontal | width - 75mm     | 80-92mm                | 164-176mm       |